

SEAWORTHY SMALL SHIPS



PORTABLE MODEL BOAT POND PLANS

A simple portable model boat pond may be constructed with four common 2" x 10" boards fastened at the corners and lined with a polyethylene sheet. Any combination of ready cut lumber six to sixteen feet may be used to form a rectangular or square pond.

The best location for a pond is on any relatively smooth and level surface out of doors in an open area away from buildings or other obstructions to the wind and within a reasonable distance to a water supply. Ponds have been set up on grass, asphalt and concrete surfaces as well as on wooden decks. When setting up a pond on a raised floor or deck consult a structural engineer or architect to make sure it can take the load.

1. Before assembling the pond make sure to inspect and remove any objects, sticks, stones, etc. that could puncture or damage the liner.
2. Secure each corner using four $\frac{1}{4}$ " x $3\frac{3}{4}$ " lag screw eyes with an 8" x $\frac{1}{2}$ " pin inserted through the eyes. An 8" bolt or large spike with the point cut off make good corner pins. Be sure to drill adequate pilot holes to avoid splitting the plank ends.
3. Use a polyethylene sheet (4 to 6 mils thick) for the liner. Two layers are recommended to ensure against leakage. A tougher and more attractive liner may be had by laying a blue poly tarp under a layer of polyethylene.
4. Excess polyethylene sheet material may be trimmed or folded under itself. Do NOT tuck the liner under side boards.
5. Hold the liner to the top edge of the boards with spring clamps or make a cap out of vinyl down spout sections by cutting a slot the length of one side (a fine tooth plywood blade on the table saw works best) then smoothing the edges with a rasp or sand paper.
6. Fill the pond before positioning spring clamps or cap to allow liner to settle. Minimum depth of water should be 4" at the shallowest point, 6" is better. To guard against the chance of injury from slipping and falling or damaging the liner, wading in ponds should NOT BE ALLOWED. Should retrieval of a model be necessary, use a pole or long handled fishing net.
7. Finally, don't forget to make plans for safely draining the pond. Ponds may be drained by siphon, pump, folding the liner down or unpinning a corner.

HAPPY SAILING

Model Boat Pond Assembly Video at: <http://www.seaworthysmallships.com/videos-2#pondplans>

Seaworthy Small Ships, Inc.
Local: 410-586-2700

P.O.Box 2863, Prince Frederick, MD 20678-2863
Fax: 410-586-0933

Email: ssships@comcast.net

Order: 800-533-9030

www.seaworthysmallships.com

Standard blue poly tarps are available at hardware stores and mass merchandisers. The following tarp sizes correspond to these pond sizes.

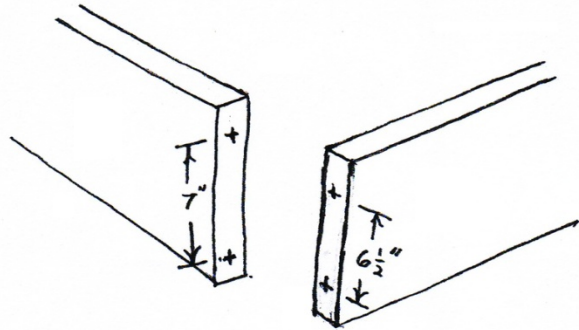
Standard Tarp Size

16ft x 20ft
12ft x 20ft
12ft x 16ft
10ft x 12ft

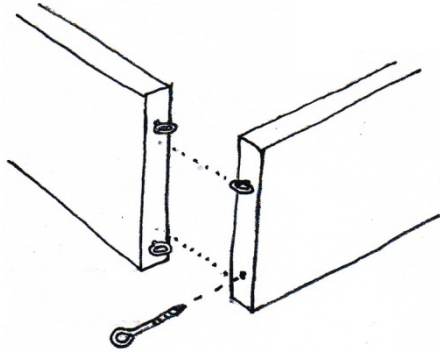
Corresponding Pond Size

12ft x 16ft
8ft x 16ft
8ft x 12ft
6ft x 8ft

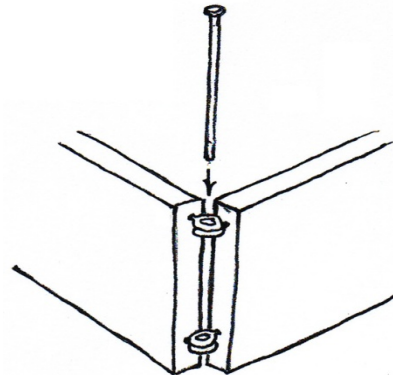
1. Lay out pilot holes for eye bolts on both ends of each plank. Two of the four planks will have holes on 7" centers and two will have holes on 6½" centers. If the pond is rectangular be sure that both long planks have holes on the same centers and both short planks have holes on the same centers. This is to ensure that the eye bolts in the end planks fit between the eye bolts in the side planks when pinned.



2. Screw eye lags into pilot holes.



3. Align eyes on 6½" centers between eyes on 7" centers and insert pin (½" x 8" bolt or spike with point cut off).



4. Spring clamps or modified vinyl downspout may be used to hold the liner in place. Number of clamps and length of downspout will vary depending on the size of the pond. Drawing not to scale.

